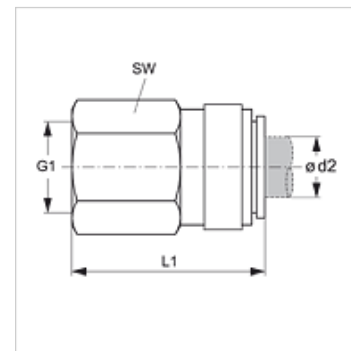


JG 45 (BSP)

Screw-on connector

Properties

Application	Pneumatic, vacuum and food applications
Connection 1	BSP cylindrical internal threads
Sealing form 1	for screw-in pins with shapes A, B and if necessary E
Connection 2	Plug in sleeve
Design	Screw-on connector
Colour	black
Media	Air fluid media inert gases, e.g., N ₂ /CO ₂
Material	Acetal copolymer body; nitrile O-ring



Item

Identification	Ø d2 (mm)	G1	L1 (mm)	AF (mm)
JG 45 04 11 E	4	G 1/8" -28	28,0	14
JG 45 06 12 E	6	G 1/4" -19	32,0	17
JG 45 08 12 E	8	G 1/4" -19	32,5	17

Accessories

JG 19 E	Cap for connectors
JG 18 S	Locking ring for connectors