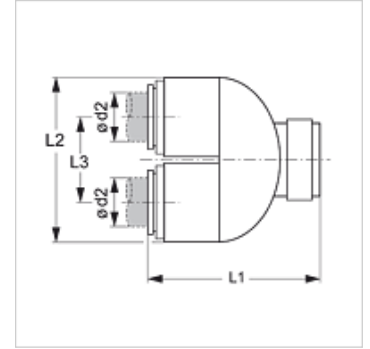


# JG UB

## Return bend with connector

### Properties

<b>Application</b>	Pneumatic, vacuum and food applications
<b>Connection 1 + 2</b>	Plug in sleeve
<b>Construction</b>	U shaped
<b>Design</b>	Return bends
<b>Colour</b>	black
<b>Media</b>	Air fluid media inert gases, e.g., N <sub>2</sub> /CO <sub>2</sub>
<b>Material</b>	Acetal copolymer body; nitrile O-ring



### Description

For pipe reversal with plastic pipes.

### Item

Identification	Ø d2 (mm)	L1 (mm)	L2 (mm)	L3 (mm)
JG UB 15 E	15	54,5	48	26

### Accessories

JG 18 S	Locking ring for connectors
JG 19 E	Cap for connectors