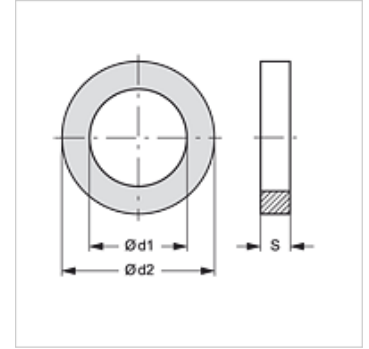


KAMMRING M

Diaphragm ring, metric

Properties

Material Steel



Item

Identification	Ø d1 (mm)	Ø d2 (mm)	for thread	S (mm)
KAMMRING M 12	14,10	17,50	M 12	1,40
KAMMRING M 14	16,10	19,50	M 14	1,40
KAMMRING M 16	18,10	22,50	M 16	1,40
KAMMRING M 18	20,10	24,50	M 18	1,40
KAMMRING M 20	22,10	26,50	M 20	1,40
KAMMRING M 22	24,10	27,50	M 22	1,40
KAMMRING M 2627	29,70	32,50	M 26 / M 27	2,50
KAMMRING M 30	32,00	36,75	M 30	1,95
KAMMRING M 33	35,80	44,50	M 33	2,50
KAMMRING M42-11/4	44,90	55,50	M 42	2,50
KAMMRING M48-11/2	50,90	62,00	M 48	2,50

Accessory for following products

GE HMOK AJ	Screw-in sockets
GE HMOK HB	Screw-in sockets
GE HMOK HJ	Screw-in sockets
GE HMOK HJOF	Screw-in sockets
GE HMOK L HJ	Screw-in socket, long
L HMOK HB	Screw-in socket, L shaped
L HMOK HJ	Screw-in socket, L shaped
L HMOK HJOF	Screw-in socket, L shaped
T HMOK HB	Screw-in socket, T shaped
T HMOK HJ	Screw-in socket, T shaped
T HMOK HJOF	Screw-in socket, T shaped
W45 HMOK HB	Screw-in socket, angle 45°
W45 HMOK HJ	Screw-in socket, angle 45°
W45 HMOK HJOF	Screw-in socket, angle 45°
W90 HMOK HB	Screw-in socket, angle 90°
W90 HMOK HJ	Screw-in socket, angle 90°
W90 HMOK HJOF	Screw-in socket, angle 90°
W90 HMOK L HJ	Screw-in socket, long, angle 90°