

# MENGENTEILER M

Flow divider

**HANSA FLEX**

## Properties

**Connection** metric cylindrical inner thread

**Mounting** 2 x M8 internal thread

**Installation position** horizontal

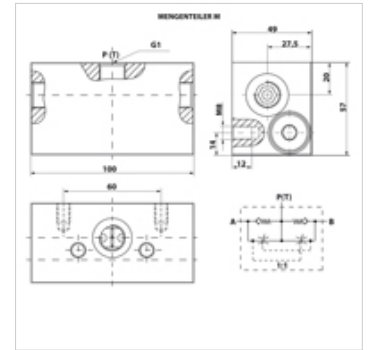
**Media** HLP 30 - 46

**Nominal flow** 20 L/Min

**Flow division ratio** 50 : 50

**Temp. min.** -20 °C

**Temp. max.** 80 °C



## Item

Identification	Design	Operating pressure (bar)	G1	Weight (kg)
MENGENTEILER M 16	pressure-compensated	250,0	M 16 x 1.5	1,90
MENGENTEILER M 18	pressure-compensated	250,0	M 18 x 1.5	1,93