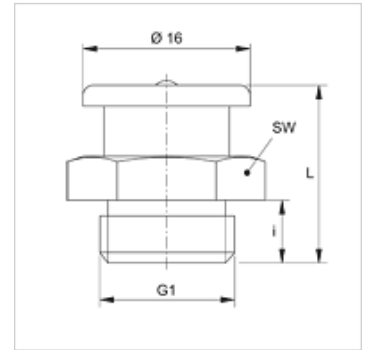


SNF KK R

Flat lubricating nipple

Properties

Connection 1	BSP external thread, cylindrical
Sealing form 1	without thread seal
Connection 2	Lubricating nipple
Design	Flat lubricating nipple
Construction type	with plastic ball
Construction	straight
Standard	DIN 3404
Material	Steel
Surface	electro galvanised



Item

Identification	G1	i (mm)	L (mm)	AF (mm)
SNF KK R1/4	G 1/4" -19	6	17	17