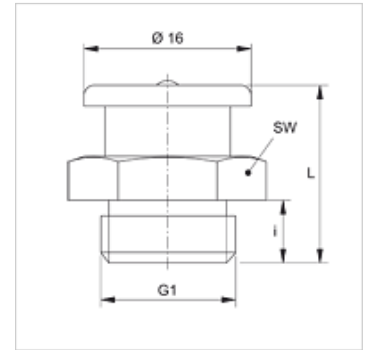


SNF M

Flat lubricating nipple

Properties

Connection 1	metric cylindrical outer thread
Sealing form 1	without thread seal
Connection 2	Lubricating nipple
Design	Flat lubricating nipple
Construction	straight
Standard	DIN 3404
Material	Steel
Surface	electro galvanised



Item

Identification	G1	i (mm)	L (mm)	AF (mm)
SNF M08-1.00	M 8 x 1	6	17	17
SNF M08-1.25	M 8 x 1.25	6	17	17
SNF M10-1.00	M 10 x 1	6	17	17
SNF M10-1.50	M 10 x 1.5	6	17	17

Product versions

SNF M MG	Flat lubricating nipple, Brass
-----------------	--------------------------------