

SNF M MG

Flat lubricating nipple

Properties

Connection 1 metric cylindrical outer thread

Sealing form 1 without thread seal

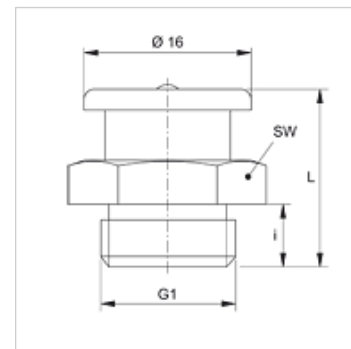
Connection 2 Lubricating nipple

Design Flat lubricating nipple

Construction straight

Standard DIN 3404

Material Brass



Item

Identification	G1	i (mm)	L (mm)	AF (mm)
SNF M06-1.00 MG	M 6 x 1	6	17	17
SNF M08-1.00 MG	M 8 x 1	6	17	17
SNF M08-1.25 MG	M 8 x 1.25	6	17	17
SNF M10-1.00 MG	M 10 x 1	6	17	17

Product versions

SNF M Flat lubricating nipple, Steel