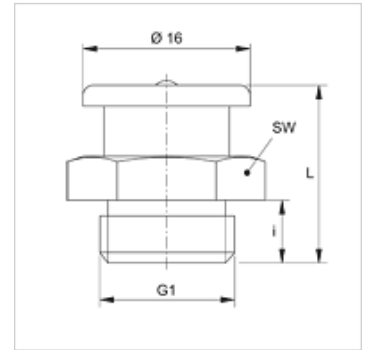


# SNF R MG

Flat lubricating nipple

## Properties

<b>Connection 1</b>	BSP external thread, cylindrical
<b>Sealing form 1</b>	without thread seal
<b>Connection 2</b>	Lubricating nipple
<b>Design</b>	Flat lubricating nipple
<b>Construction</b>	straight
<b>Standard</b>	DIN 3404
<b>Material</b>	Brass



## Item

Identification	G1	i (mm)	L (mm)	AF (mm)
<b>SNF R1/8 MG</b>	G 1/8" -28	6	17	17
<b>SNF R3/8 MG</b>	G 3/8" -19	7	18	17