

SNK 45 KA R

Conical lubricating nipple, hexagonal head, angle 45°

HANSA FLEX

Properties

Connection 1 BSPT conical external threads

Sealing form 1 thread seal

Connection 2 Lubricating nipple

Design Hydraulic-type lubricating nipple

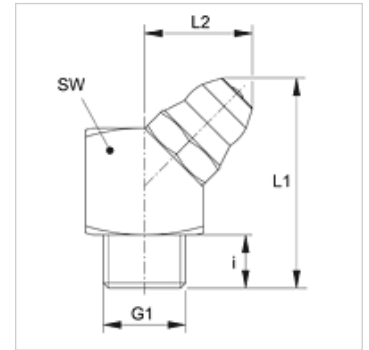
Construction type Angular design

Construction Angle 45°

Standard DIN 71412

Material Steel

Surface electro galvanised



Item

Identification	G1	i (mm)	L1 (mm)	L2 (mm)	AF (mm)
SNK 45 KA R1/8	R 1/8" K	5,5	20,5	11	11