

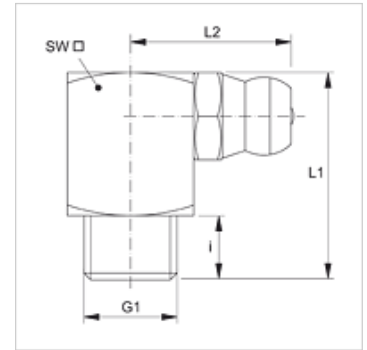
SNK 90 KA M

Conical lubricating nipple, hexagonal head, angle 90°

HANSA FLEX

Properties

Connection 1	metric conical outer thread
Sealing form 1	thread seal
Connection 2	Lubricating nipple
Design	Hydraulic-type lubricating nipple
Construction type	Angular design
Construction	Angle 90°
Standard	DIN 71412
Additional feature	Lubricating nipple head diameter 6,5 mm
Material	Steel
Surface	electro galvanised



Item

Identification	G1	i (mm)	L1 (mm)	L2 (mm)	AF (mm)
SNK 90 KA M06-1.00	M 6 x 1 K	5,5	18	14	9
SNK 90 KA M08-1.00	M 8 x 1 K	5,5	18	14	9
SNK 90 KA M10-1.00	M 10 x 1 K	5,5	18	15	11