

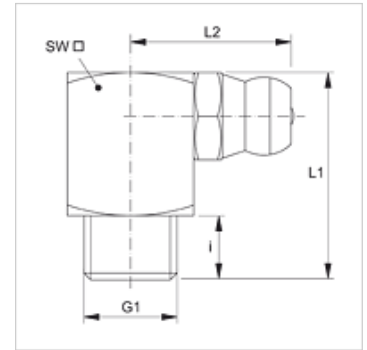
SNK 90 KA R

Conical lubricating nipple, hexagonal head, angle 90°

HANSA FLEX

Properties

Connection 1	BSPT conical external threads
Sealing form 1	thread seal
Connection 2	Lubricating nipple
Design	Hydraulic-type lubricating nipple
Construction type	Angular design
Construction	Angle 90°
Standard	DIN 71412
Additional feature	Lubricating nipple head diameter 6,5 mm
Material	Steel
Surface	electro galvanised



Item

Identification	G1	i (mm)	L1 (mm)	L2 (mm)	AF (mm)
SNK 90 KA R1/8	R 1/8" K	5,5	19	15	11