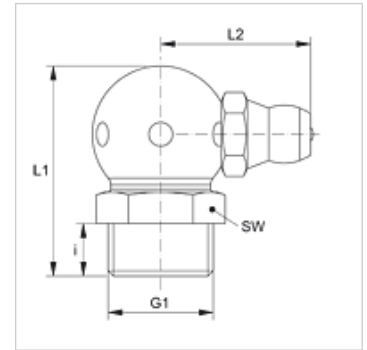


SNK 90 KU M V2

Conical lubricating, ball, angle 90°

Properties

Connection 1	metric conical outer thread
Sealing form 1	thread seal
Connection 2	Lubricating nipple
Design	Hydraulic-type lubricating nipple
Construction type	Spherical design
Construction	Angle 90°
Standard	DIN 71412
Additional feature	Lubricating nipple head diameter 6,5 mm
Material	stainless steel 1.4305



Item

Identification	G1	i (mm)	L1 (mm)	L2 (mm)	AF (mm)
SNK 90 KU M08-125 V2	M 8 x 1.25 K	5,5	18	13	9
SNK 90 KU M10-150 V2	M 10 x 1.5 K	5,5	20	14	11

Product versions

SNK 90 KU M