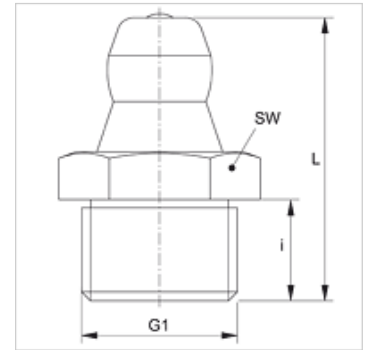


SNK FOR M

Conical lubricating nipple with self-forming thread

Properties

Connection 1	Self-forming thread
Sealing form 1	thread seal
Connection 2	Lubricating nipple
Design	Hydraulic-type lubricating nipple
Construction type	with self-forming thread
Construction	straight
Standard	DIN 71412
Additional feature	Lubricating nipple head diameter 6,5 mm
Material	Steel
Surface	electro galvanised



Item

Identification	G1	i (mm)	L (mm)	AF (mm)
SNK FOR M6-1	M 6 x 1 K	5,5	15	7
SNK FOR M8-1	M 8 x 1 K	5,5	15	9
SNK FOR M10-1	M 10 x 1 K	5,5	15	11