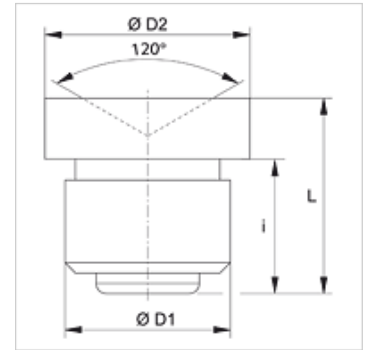


SNT GLATT

Funnel-type lubricating nipple, drive type shank

Properties

Connection 1	Drive type shank
Connection 2	Lubricating nipple
Design	Funnel-type lubricating nipple
Construction type	for driving in with smooth pin
Construction	straight
Standard	DIN 3405
Material	Steel
Surface	electro galvanised



Item

Identification	Ø D1 (mm)	Ø D2 (mm)	i (mm)	L (mm)
SNT GLATT 08	8	10,0	6,5	9,5
SNT GLATT 10	10	12,0	6,5	9,5