

SNT M

Funnel-type lubricating nipple

Properties

Connection 1 metric cylindrical outer thread

Sealing form 1 Shape A

Connection 2 Lubricating nipple

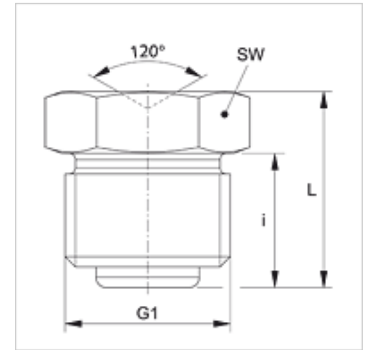
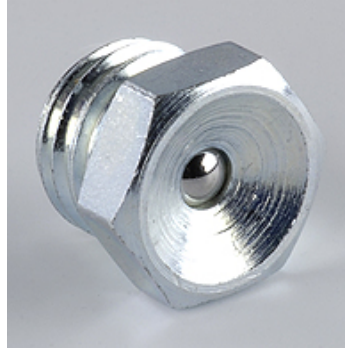
Design Funnel-type lubricating nipple

Construction straight

Standard DIN 3405

Material Steel

Surface electro galvanised



Item

Identification	G1	i (mm)	L (mm)	AF (mm)
SNT M06-1.00	M 6 x 1	5,5	8,5	7
SNT M08-1.00	M 8 x 1	6,5	9,5	9