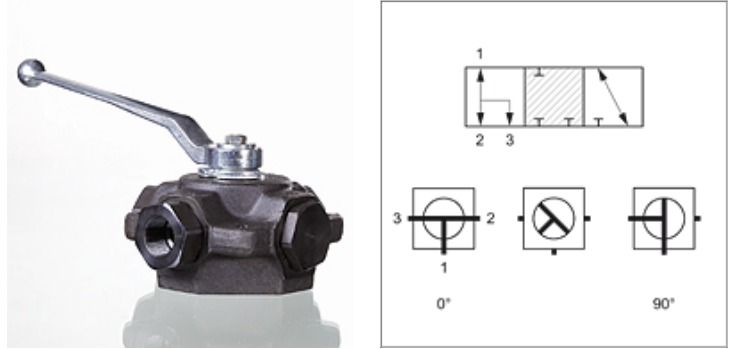


3 BKR T

3-way ball valve in block design

Properties

Connection 1 - 3	BSP cylindrical internal threads
Sealing form 1 - 3	for screw-in pins with shapes A, B and if necessary E.
Bore	T shaped
Contact travel	0°; 90°
Temp. min.	-10 °C
Temp. max.	80 °C
Material	Steel housing, ball and operating shaft POM ball seal NBR O-ring
Surface	burnished



Note

Please refer to the operating instructions for ball valves.
Note the permissible pressure limits for the connecting elements.

Item

Identification	DN*	Connecting thread	Overlap	LW (mm)	Operating pressure	AF (mm)	SF*
3 BKR 04 T	4	G 1/8" -28	positive (closed)	5,0	PN 500	12	1,5
3 BKR 06 T	6	G 1/4" -19	positive (closed)	5,0	PN 500	12	1,5
3 BKR 10 T	10	G 3/8" -19	positive (closed)	7,5	PN 500	14	1,5
3 BKR 13 T	12	G 1/2" -14	positive (closed)	11,5	PN 400	14	1,5
3 BKR 20 T	19	G 3/4" -14	positive (closed)	18,0	PN 400	17	1,5
3 BKR 25 T	25	G 1" -11	positive (closed)	22,0	PN 350	17	1,5
3 BKR 32 T	31	G 1.1/4" -11	positive (closed)	22,0	PN 350	17	1,5
3 BKR 40 T	38	G 1.1/2" -11	positive (closed)	33,0	PN 63	22	1,5

DN = Nominal diameter, nominal width – LW = Clearance – PN = Nominal pressure – PB = Max. operating pressure – AF = Width across flats – SF = Safety factor

Spare parts

BK ANSCHLAG	Stop washers for ball valve
BK GEKR GRIFF SW	Handle (offset) for ball valve