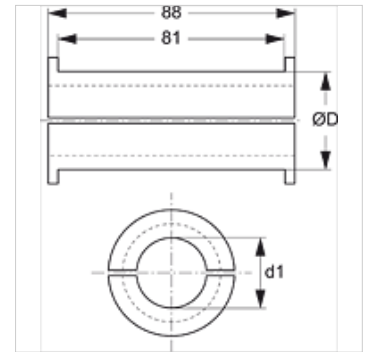


HSRS EE

Elastomer insert for steel pipe clamp

Properties

Design	Elastomer insert
suitable for	HSRS steel pipe clamps
Temp. min.	-40 °C
Temp. max.	125 °C
Material	Santoprene 64° Shore A
Special features	Excellent oil and weather resistance secure mounting of pipes and hose lines Improved noise and vibration damping



Item

Identification	d1 (mm)	Ø D (mm)
HSRS 25-12 EE	12,00	25
HSRS 25-15 EE	15,00	25
HSRS 30-20 EE	20,00	30
HSRS 35-25 EE	25,00	35
HSRS 42-30 EE	30,00	42
HSRS 50-35 EE	35,00	50
HSRS 50-38 EE	38,00	50
HSRS 50-42 EE	42,00	50

Accessory for following products

HSRS	Steel pipe clamp
------	------------------