

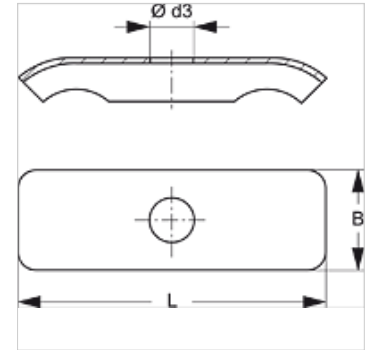
LBS DP D

Cover plate for light construction double pipe clamp

HANSA FLEX

Properties

| | |
|-----------------|--------------------|
| Material | Steel |
| Surface | electro galvanised |



Description

The cover plate provides stable fitting of the lightweight double pipe clamp LBS D and LBS D PA.

Item

| Identification | Clamp size | $\varnothing d3$ (mm) | B (mm) | L (mm) |
|----------------|------------|--------------------------|-----------|-----------|
| LBS DP 1 D | 1 | 6,5 | 16,3 | 29,0 |
| LBS DP 2 D | 2 | 6,5 | 16,3 | 40,0 |
| LBS DP 3 D | 3 | 6,5 | 16,5 | 50,5 |
| LBS DP 4 D | 4 | 6,5 | 16,5 | 63,0 |

Accessory for following products

| | |
|----------|-----------------------------------------|
| LBS D PA | Light construction PA double pipe clamp |
| LBS D | Light construction double pipe clamp |