

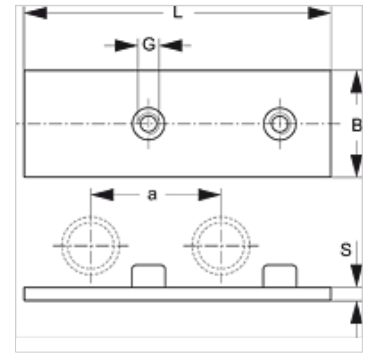
# SRS 0 D SP VZ

Double welded on base plate, single pipe clamp

**HANSA FLEX**

## Properties

<b>Design</b>	for single pipe clamps
<b>Series</b>	light
<b>Standard</b>	DIN 3015-1
<b>Material</b>	Steel
<b>Surface</b>	electro galvanised



## Item

Identification	Clamp size	a (mm)	B (mm)	G	L (mm)	S (mm)
SRS D SP 1 VZ	0	30,0	30,0	M 6	61	3

## Product versions

SRS 0 D SP Double welded on base plate, single pipe clamp, phosphate treated