

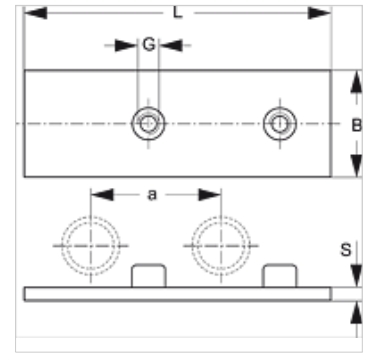
SRS 0 D SP

Double welded on base plate, single pipe clamp

HANSA FLEX

Properties

Design	for single pipe clamps
Series	light
Standard	DIN 3015-1
Material	Steel
Surface	phosphate treated



Item

Identification	Clamp size	B (mm)	G	L (mm)	S (mm)
SRS D SP 1	0	30,0	M 6	61	3

Product versions

SRS 0 D SP VZ Double welded on base plate, single pipe clamp, electro galvanised

Additional element for following products

A 0 Configuration of group A 0