

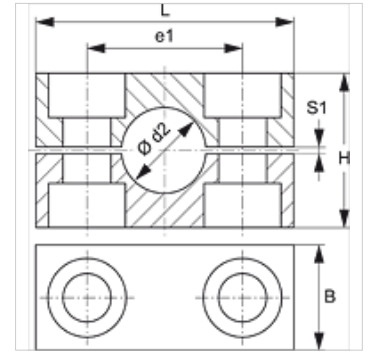
SRS 30-100 PP G

Pipe clamp, heavy series

HANSA FLEX

Properties

Design	Single pipe clamp
Construction type	Inside of clamp, smooth
Series	heavy
Standard	DIN 3015-2
Temp. min.	-30 °C
Temp. max.	90 °C
Material	Polypropylene



Note

The use of clamps with a smooth inner surface is recommended for retaining hoses and cables. No pretension is applied when fitting and the block height H is reduced to the gap width S1.

Ordering information

1 piece = 2 halves of clamp

Item

Identification	Clamp size	External pipe Ø d2 (mm)	External pipe Ø d2	B (mm)	e1 (mm)	H (mm)	L (mm)	S1 (mm)
SRS 3006 PP G	1	6,0	-	30	33	32	56	2
SRS 3008 PP G	1	8,0	5/16"	30	33	32	56	2
SRS 3010 PP G	1	10,0	-	30	33	32	56	2
SRS 3012 PP G	1	12,0	-	30	33	32	56	2
SRS 3012.7 PP G	1	12,7	1/2"	30	33	32	56	2
SRS 3013.5 PP G	1	13,5	-	30	33	32	56	2
SRS 3014 PP G	1	14,0	-	30	33	32	56	2
SRS 3015 PP G	1	15,0	-	30	33	32	56	2
SRS 3016 PP G	1	16,0	5/8"	30	33	32	56	2
SRS 3017.2 PP G	1	17,2	-	30	33	32	56	2
SRS 3018 PP G	1	18,0	-	30	33	32	56	2
SRS 4019 PP G	2	19,0	3/4"	30	45	48	71	2
SRS 4020 PP G	2	20,0	-	30	45	48	71	2
SRS 4021.3 PP G	2	21,3	-	30	45	48	71	2
SRS 4022 PP G	2	22,0	-	30	45	48	71	2
SRS 4023 PP G	2	23,0	-	30	45	48	71	2
SRS 4025 PP G	2	25,0	1"	30	45	48	71	2
SRS 4026.9 PP G	2	26,9	-	30	45	48	71	2
SRS 4028 PP G	2	28,0	-	30	45	48	71	2
SRS 4030 PP G	2	30,0	-	30	45	48	71	2
SRS 5030 PP G	3	30,0	-	30	60	60	86	2
SRS 5032 PP G	3	32,0	1.1/4"	30	60	60	86	2
SRS 5033.7 PP G	3	33,7	-	30	60	60	86	2
SRS 5035 PP G	3	35,0	-	30	60	60	86	2
SRS 5038 PP G	3	38,0	1.1/2"	30	60	60	86	2
SRS 5040 PP G	3	40,0	-	30	60	60	86	2
SRS 5042 PP G	3	42,0	-	30	60	60	86	2
SRS 6038 PP G	4	38,0	1.1/2"	45	90	90	117	3
SRS 6040 PP G	4	40,0	-	45	90	90	117	3
SRS 6042 PP G	4	42,0	-	45	90	90	117	3
SRS 6045 PP G	4	45,0	-	45	90	90	117	3
SRS 6048.3 PP G	4	48,3	-	45	90	90	117	3
SRS 6050 PP G	4	50,0	-	45	90	90	117	3
SRS 6051 PP G	4	51,0	2"	45	90	90	117	3
SRS 6052 PP G	4	52,0	-	45	90	90	117	3
SRS 6055 PP G	4	55,0	-	45	90	90	117	3
SRS 6057 PP G	4	57,0	2.1/4"	45	90	90	117	3
SRS 6060.3 PP G	4	60,3	-	45	90	90	117	3
SRS 6063 PP G	4	63,0	2.1/2"	45	90	90	117	3
SRS 6065 PP G	4	65,0	-	45	90	90	117	3
SRS 6070 PP G	4	70,0	-	45	90	90	117	3



Despite careful checking, we cannot guarantee the accuracy of all information included on this site, and we accept no liability.

22.07.2024

HANSA-FLEX AG

www.hansa-flex.com

1

SRS 30-100 PP G

Pipe clamp, heavy series

Product versions

SRS 30-100 AL	Pipe clamp, heavy series, Inside of clamp with web
----------------------	--

SRS 30-100 PA	Pipe clamp, heavy series, Inside of clamp with web
----------------------	--

SRS 30-100 PP	Pipe clamp, heavy series, Inside of clamp with web
----------------------	--

SRS 30-100 VG	Pipe clamp, heavy series, Inside of clamp with web
----------------------	--