

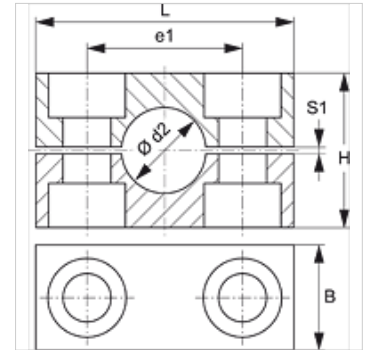
SRS 30-100 VG

Pipe clamp, heavy series

HANSA FLEX

Properties

Design	Single pipe clamp
Construction type	Inside of clamp with web
Series	heavy
Standard	DIN 3015-2
Temp. min.	-50 °C
Temp. max.	120 °C
Material	Solid rubber Shore 64°/73°



Description

Webs in the inner surface of the clamps dampen impacts and vibrations and absorb forces along the pipe axis.

A gap between the two halves pretensions the pipe.

Ordering information

1 piece = 2 halves of clamp

Item

Identification	Clamp size	External pipe Ø d2 (mm)	External pipe Ø d2	B (mm)	e1 (mm)	H (mm)	L (mm)	S1 (mm)
SRS 3006 VG	1	6,0	-	30	33	32	56	2
SRS 3008 VG	1	8,0	5/16"	30	33	32	56	2
SRS 3010 VG	1	10,0	-	30	33	32	56	2
SRS 3012 VG	1	12,0	-	30	33	32	56	2
SRS 3012.7 VG	1	12,7	1/2"	30	33	32	56	2
SRS 3013.5 VG	1	13,5	-	30	33	32	56	2
SRS 3014 VG	1	14,0	-	30	33	32	56	2
SRS 3015 VG	1	15,0	-	30	33	32	56	2
SRS 3016 VG	1	16,0	5/8"	30	33	32	56	2
SRS 3017.2 VG	1	17,2	-	30	33	32	56	2
SRS 3018 VG	1	18,0	-	30	33	32	56	2
SRS 4019 VG	2	19,0	3/4"	30	45	48	71	2
SRS 4020 VG	2	20,0	-	30	45	48	71	2
SRS 4021.3 VG	2	21,3	-	30	45	48	71	2
SRS 4022 VG	2	22,0	-	30	45	48	71	2
SRS 4023 VG	2	23,0	-	30	45	48	71	2
SRS 4025 VG	2	25,0	1"	30	45	48	71	2
SRS 4026.9 VG	2	26,9	-	30	45	48	71	2
SRS 4028 VG	2	28,0	-	30	45	48	71	2
SRS 4030 VG	2	30,0	-	30	45	48	71	2
SRS 5030 VG	3	30,0	-	30	60	60	86	2
SRS 5032 VG	3	32,0	1.1/4"	30	60	60	86	2
SRS 5033.7 VG	3	33,7	-	30	60	60	86	2
SRS 5035 VG	3	35,0	-	30	60	60	86	2
SRS 5038 VG	3	38,0	1.1/2"	30	60	60	86	2
SRS 5040 VG	3	40,0	-	30	60	60	86	2
SRS 5042 VG	3	42,0	-	30	60	60	86	2
SRS 6038 VG	4	38,0	1.1/2"	45	90	90	117	3
SRS 6040 VG	4	40,0	-	45	90	90	117	3
SRS 6042 VG	4	42,0	-	45	90	90	117	3
SRS 6045 VG	4	45,0	-	45	90	90	117	3
SRS 6048.3 VG	4	48,3	-	45	90	90	117	3
SRS 6050 VG	4	50,0	-	45	90	90	117	3
SRS 6051 VG	4	51,0	2"	45	90	90	117	3
SRS 6052 VG	4	52,0	-	45	90	90	117	3
SRS 6055 VG	4	55,0	-	45	90	90	117	3
SRS 6057 VG	4	57,0	2.1/4"	45	90	90	117	3
SRS 6060.3 VG	4	60,3	-	45	90	90	117	3
SRS 6063 VG	4	63,0	2.1/2"	45	90	90	117	3
SRS 6065 VG	4	65,0	-	45	90	90	117	3
SRS 6070 VG	4	70,0	-	45	90	90	117	3



Despite careful checking, we cannot guarantee the accuracy of all information included on this site, and we accept no liability.

13.03.2025

HANSA-FLEX AG

www.hansa-flex.com

1

SRS 30-100 VG

Pipe clamp, heavy series

Product versions

SRS 30-100 AL	Pipe clamp, heavy series, Inside of clamp with web
----------------------	--

SRS 30-100 PA	Pipe clamp, heavy series, Inside of clamp with web
----------------------	--

SRS 30-100 PP	Pipe clamp, heavy series, Inside of clamp with web
----------------------	--

SRS 30-100 PP G	Pipe clamp, heavy series, Inside of clamp, smooth
------------------------	---