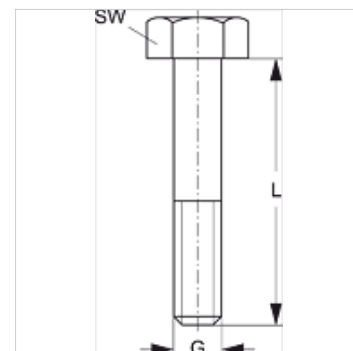


SRS AS 30-100 V4

Hexagon screw for single pipe clamp

Properties

Design	for single pipe clamps
Series	heavy
Standard	DIN 931 (ISO 4014) or DIN 933 (ISO 4017)
Material	Stainless steel 1.4571



Item

Identification	Clamp size	G	L (mm)	AF (mm)
SRS AS 30 V4	1	M 10	40	17
SRS AS 40 V4	2	M 10	60	17
SRS AS 50 V4	3	M 10	70	17
SRS AS 60 V4	4	M 12	100	19
SRS AS 70 V4	5	M 16	130	24
SRS AS 80 V4	6	M 20	190	30

Product versions

SRS AS 30-100 Hexagon screw for single pipe clamp, Steel