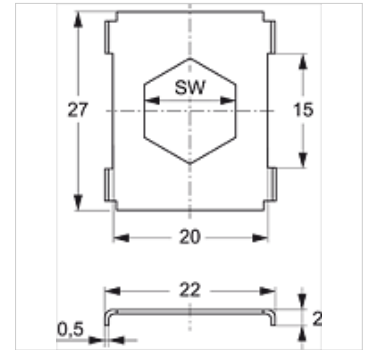
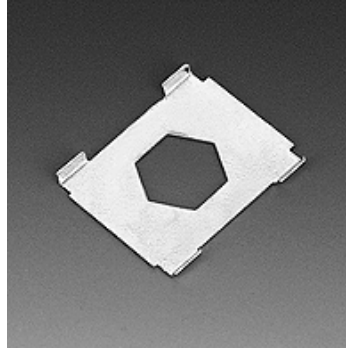


SRS SI

Lock washer for double pipe clamp

Properties

Design	for twin pipe clamps
Standard	DIN 3015-3
Material	Steel
Surface	electro galvanised



Item

Identification	Clamp size	AF (mm)
SRS SI 1 D	1	11
SRS SI 2 D	2 - 5	12

Product versions

SRS SI V4 Lock washer for double pipe clamp, Stainless steel 1.4571

Additional element for following products

B A Configuration of group B composition