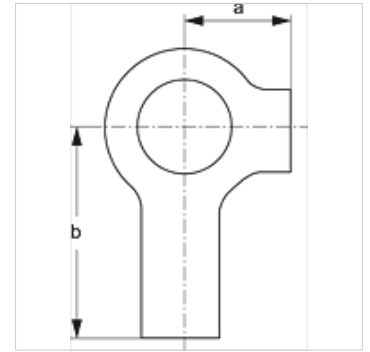


# SRS SIS 30-100

Lock washer for single pipe clamp

## Properties

<b>Design</b>	for single pipe clamps
<b>Series</b>	heavy
<b>Standard</b>	DIN 3015-2
<b>Material</b>	Steel
<b>Surface</b>	Size 1 to size 4 electro galvanised uncoated from size 5



## Item

Identification	Clamp size	a (mm)	b (mm)
<b>SRS SIS 30</b>	1	13	22
<b>SRS SIS 60</b>	4	15	28
<b>SRS SIS 70</b>	5	18	32
<b>SRS SIS 80</b>	6	21	36

## Additional element for following products

<b>C D</b>	Configuration of group C double
<b>C</b>	Configuration of group C