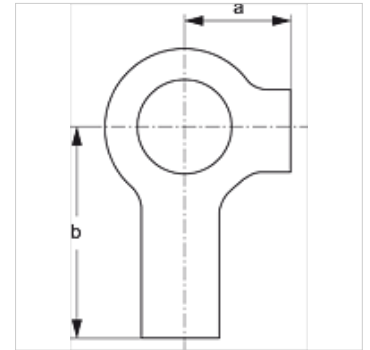
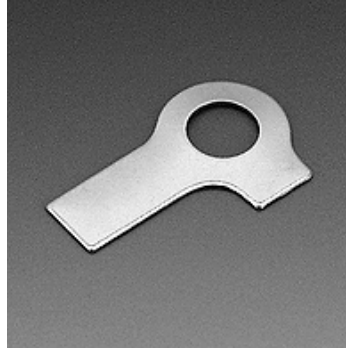


# SRS SIS D

Lock washer for double pipe clamp

## Properties

<b>Design</b>	for twin pipe clamps
<b>Standard</b>	DIN 3015-1
<b>Material</b>	Steel
<b>Surface</b>	electro galvanised



## Item

Identification	Clamp size	a (mm)	b (mm)
<b>SRS SIS 1 D</b>	1	9	18
<b>SRS SIS 2 D</b>	2 - 5	11	20

## Additional element for following products

<b>B</b>	Configuration of group B
----------	--------------------------