

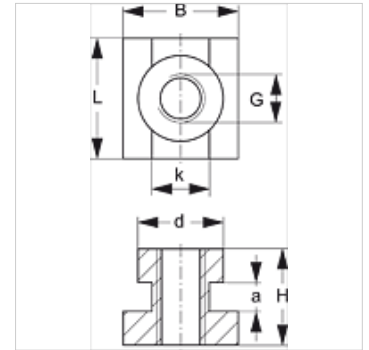
SRS SM 30-60

Mounting rail nut, single pipe clamp

HANSA FLEX

Properties

Design	for single pipe clamps
Series	heavy
Standard	DIN 3015
Material	Steel
Surface	electro galvanised



Description

for clamp sizes 1-4 from heavy series.

Item

Identification	Clamp size	a (mm)	B (mm)	d (mm)	G	H (mm)	K (mm)	L (mm)
SRS SM 60	4	6	24	19,8	M 12	23	12,0	25

Product versions

SRS SM 30-60 V4	Mounting rail nut, single pipe clamp, Stainless steel 1.4571
SRS SM 30-60 VZ	Mounting rail nut, single pipe clamp, electro galvanised

Additional element for following products

C	Configuration of group C
----------	--------------------------