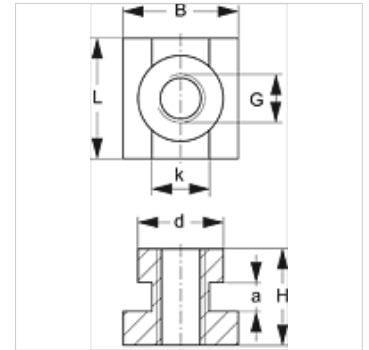


SRS SM 30-60 V4

Mounting rail nut, single pipe clamp

Properties

Design	for single pipe clamps
Series	heavy
Standard	DIN 3015
Material	Stainless steel 1.4571



Description

for clamp sizes 1-4 from heavy series.

Item

Identification	Clamp size	a (mm)	B (mm)	d (mm)	G	H (mm)	K (mm)	L (mm)
SRS SM 30-50 V4	1 - 3	6	24	17,8	M 10	20	12,0	25
SRS SM 60 V4	4	6	24	19,8	M 12	23	12,0	25

Product versions

SRS SM 30-60	Mounting rail nut, single pipe clamp, electro galvanised
SRS SM 30-60 VZ	Mounting rail nut, single pipe clamp, electro galvanised