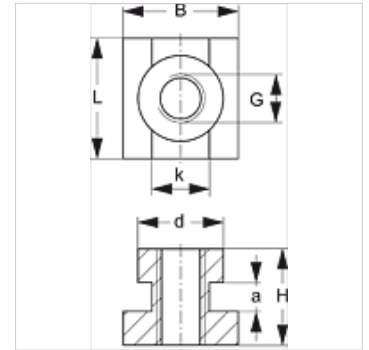


SRS SM 30-60 VZ

Mounting rail nut, single pipe clamp

Properties

Design	for single pipe clamps
Series	heavy
Standard	DIN 3015
Material	Steel
Surface	electro galvanised



Description

for clamp sizes 1-4 from heavy series.

Item

Identification	Clamp size	a (mm)	B (mm)	d (mm)	G	H (mm)	K (mm)	L (mm)
SRS SM 30-50 VZ	1 - 3	6	24	17,8	M 10	20	12,0	25

Product versions

SRS SM 30-60	Mounting rail nut, single pipe clamp, electro galvanised
SRS SM 30-60 V4	Mounting rail nut, single pipe clamp, Stainless steel 1.4571