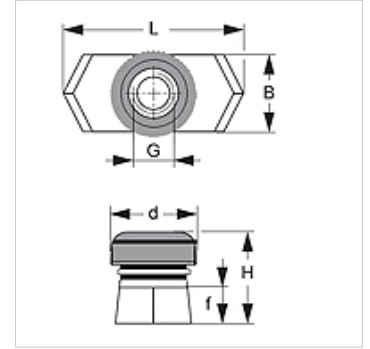


# SRS SMD

Mounting rail nut, double pipe clamp

## Properties

<b>Design</b>	for twin pipe clamps
<b>Standard</b>	DIN 3015-3
<b>Material</b>	Steel and rubber
<b>Surface</b>	electro galvanised



## Item

Identification	Clamp size	B (mm)	d (mm)	f (mm)	G	H (mm)	L (mm)
SRS SM D	2 - 5	10,4	14	5	M 8	13,0	25,4

## Product versions

SRS SMD V4 Mounting rail nut, double pipe clamp, Stainless steel 1.4571

## Additional element for following products

B Configuration of group B