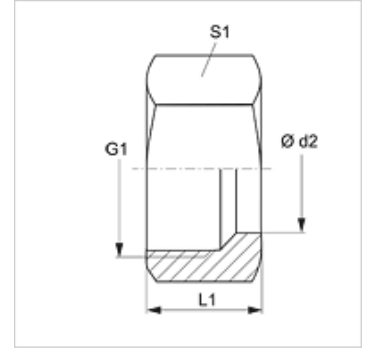
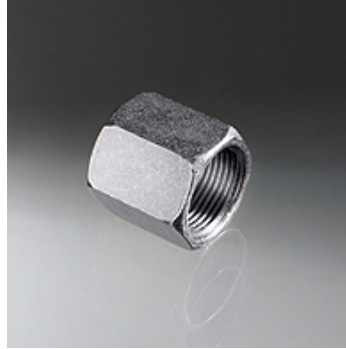


K 400

Union nut

Properties

Connection 1	metric nut thread
Design	Union nut
Standard	DIN 3872
Material	Steel
Surface	electro galvanised



Note

K400-24 is the appropriate union nut for K470-01.

Information about fitting, installation, pressure loads and permissible operating temperatures can be found in the technical information for pipe fittings.

Item

Identification	Ø d2 (mm)	G1	L1 (mm)	S1
K 400-05	10	M 18 x 1.5	26,5	22
K 400-08	15	M 22 x 1.5	27,0	27
K 400-10	18	M 26 x 1.5	27,0	32
K 400-16	16	M 22 x 1.5	27,0	27
K 400-24	17	M 22 x 1.5	17,0	27