

K 405-31 - K 405-36

Reducing adapter, short

Properties

Connection 1 metric cylindrical outer thread

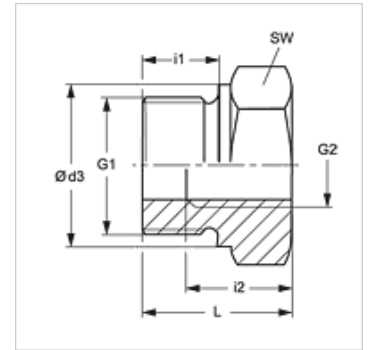
Connection 2 metric cylindrical inner thread

Design Reducing adapters

Construction type short

Material Steel

Surface electro galvanised



Item

Identification	G1	G2	i (mm)	L1 (mm)	AF (mm)
K 405-31	M 18 x 1.5	M 12 x 1.5	12	19	24
K 405-34	M 22 x 1.5	M 12 x 1.5	12	19	27
K 405-35	M 22 x 1.5	M 14 x 1.5	12	19	27
K 405-36	M 22 x 1.5	M 16 x 1.5	12	19	27

AF = Width across flats