

# K 405-37

Reducing adapter, short

## Properties

**Connection 1** metric cylindrical outer thread

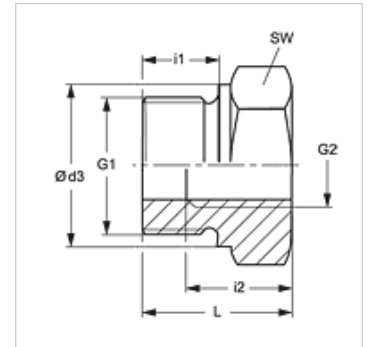
**Connection 2** BSP cylindrical internal threads

**Design** Reducing adapters

**Construction type** short

**Material** Steel

**Surface** electro galvanised



## Item

Identification	G1	G2	i (mm)	L1 (mm)	AF (mm)
<b>K 405-37</b>	M 22 x 1.5	G 1/4" -19	12	19	27

AF = Width across flats