

# K 405-50 - K 405-67

Reducing adapter, long

## Properties

**Connection 1** metric cylindrical outer thread

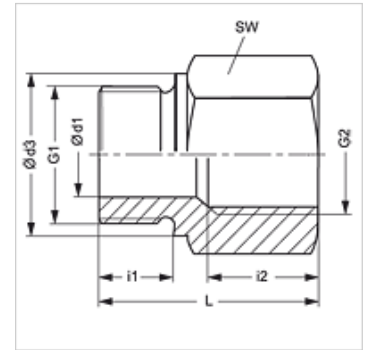
**Connection 2** metric cylindrical inner thread

**Design** Reducing adapters

**Construction type** Long

**Material** Steel

**Surface** electro galvanised



## Item

Identification	G1	G2	i (mm)	L1 (mm)	AF (mm)
<b>K 405-53</b>	M 22 x 1.5	M 22 x 1.5	12	40	27
<b>K 405-67</b>	M 26 x 1.5	M 22 x 1.5	12	29	32

AF = Width across flats