

K 405-55 - K 405-60

Reducing adapter, long

HANSA FLEX

Properties

Connection 1 metric cylindrical outer thread

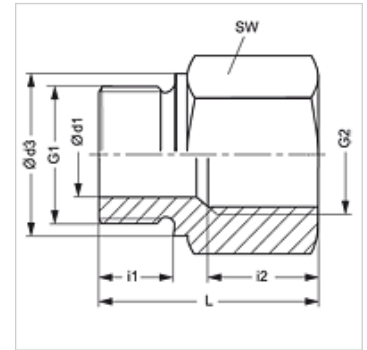
Connection 2 BSP cylindrical internal threads

Design Reducing adapters

Construction type Long

Material Steel

Surface electro galvanised



Item

Identification	G1	G2	i (mm)	L1 (mm)	AF (mm)
K 405-55	M 14 x 1.5	G 1/4" -19	12	34	19
K 405-58	M 22 x 1.5	G 3/8" -19	12	32	27
K 405-60	M 22 x 1.5	G 1/2" -14	12	35	27

AF = Width across flats