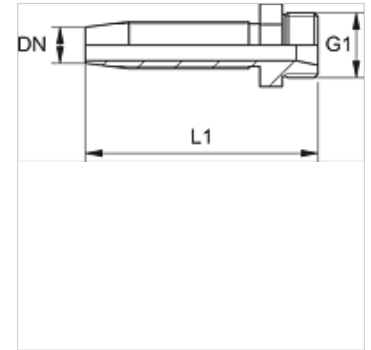


TRN HS

Screw nipple, CES

Properties

Connection 1	metric cylindrical outer thread
Sealing form 1	24° inner cone
Short code	CES
Standard	ISO 8434-1
Material	Steel
Surface	electro galvanised



Note

Choose the appropriate ferrule based on the hose type.

Item

Identification	DN	Size	Inches	Series	G1	for external pipe Ø (mm)	L1 (mm)	S1
TRN 04 HS 03	5	3	3/16"	S	M 14 x 1.5	6	42,0	14
TRN 04 HS	5	3	3/16"	S	M 16 x 1.5	8	42,0	14
TRN 06 HS	6	4	1/4"	S	M 18 x 1.5	10	59,5	19
TRN 08 HS	8	5	5/16"	S	M 20 x 1.5	12	60,0	22