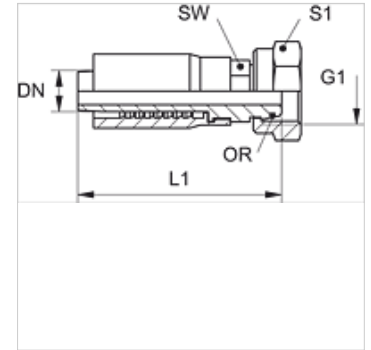


TRP AOS

Swage fitting, DKOS

Properties

Connection 1	metric nut thread
Sealing form 1	24° outer cone with O-ring
Short code	DKOS
Standard	ISO 8434-1
Scope of supply	Swage nipple + swage ferrule
Material	Steel
Surface	electro galvanised



Item										
Identification	DN	Size	Inches	Series	G1	for external pipe Ø (mm)	L1 (mm)	AF (mm)	S1	OR
TRP 04 AOS	5	3	3/16"	S	M 16 x 1.5	8	55,0	14	22	6.0 x 1.5
TRP 06 AOS 04	6	4	1/4"	S	M 16 x 1.5	8	61,0	17	22	6.0 x 1.5
TRP 06 AOS	6	4	1/4"	S	M 18 x 1.5	10	61,0	17	22	7.5 x 1.5
TRP 08 AOS 06	8	5	5/16"	S	M 18 x 1.5	10	64,0	19	22	7.5 x 1.5
TRP 08 AOS	8	5	5/16"	S	M 20 x 1.5	12	64,0	19	24	9.0 x 1.5
TRP 10 AOS 08	10	6	3/8"	S	M 20 x 1.5	12	68,0	19	24	9.0 x 1.5
TRP 10 AOS	10	6	3/8"	S	M 22 x 1.5	14	68,0	22	27	10.0 x 2.0
TRP 13 AOS	12	8	1/2"	S	M 24 x 1.5	16	75,0	24	30	12.0 x 2.0