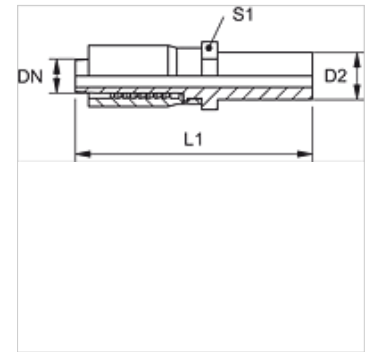


TRP FS

Swage fitting, BES

Properties

Connection 1	Pipe sockets
Sealing form 1	Cutting ring connection
Short code	BES
Standard	ISO 8434-1
Scope of supply	Swage nipple + swage ferrule
Material	Steel
Surface	electro galvanised



Note

Final cutting ring assembly must be carried out in the hardened pre-assembly socket (VOM...).

Item

Identification	DN	Size	Inches	Series	D2 (mm)	L1 (mm)	AF (mm)
TRP 04 FS	5	3	3/16"	S	8,0	59,0	14
TRP 06 FS	6	4	1/4"	S	10,0	67,0	14
TRP 06 FS 04	6	4	1/4"	S	8,0	65,0	14
TRP 06 FS 08	6	4	1/4"	S	12,0	68,0	17
TRP 08 FS	8	5	5/16"	S	12,0	71,0	17
TRP 08 FS 06	8	5	5/16"	S	10,0	70,0	17
TRP 10 FS	10	6	3/8"	S	14,0	79,0	19
TRP 10 FS 06	10	6	3/8"	S	10,0	75,0	19
TRP 10 FS 08	10	6	3/8"	S	12,0	77,0	19
TRP 13 FS	12	8	1/2"	S	16,0	87,0	24