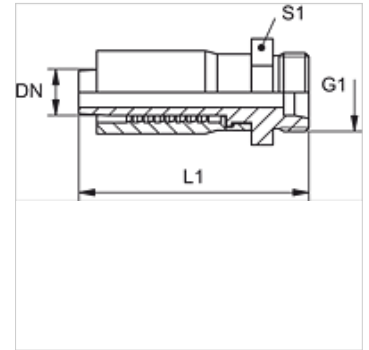


TRP HS

Swage fitting, CES

Properties

Connection 1	metric cylindrical outer thread
Sealing form 1	24° inner cone
Short code	CES
Standard	ISO 8434-1
Scope of supply	Swage nipple + swage ferrule
Material	Steel
Surface	electro galvanised



Item

Identification	DN	Size	Inches	Series	G1	for external pipe Ø (mm)	L1 (mm)	S1
TRP 04 HS 03	5	3	3/16"	S	M 14 x 1.5	6	49,0	17
TRP 04 HS	5	3	3/16"	S	M 16 x 1.5	8	49,0	19
TRP 06 HS	6	4	1/4"	S	M 18 x 1.5	10	55,0	22
TRP 06 HS 08	6	4	1/4"	S	M 20 x 1.5	12	55,0	24
TRP 08 HS	8	5	5/16"	S	M 20 x 1.5	12	64,0	24
TRP 10 HS 08	10	6	3/8"	S	M 20 x 1.5	12	-	-
TRP 10 HS	10	6	3/8"	S	M 22 x 1.5	14	66,0	27
TRP 13 HS	12	8	1/2"	S	M 24 x 1.5	16	71,0	27