

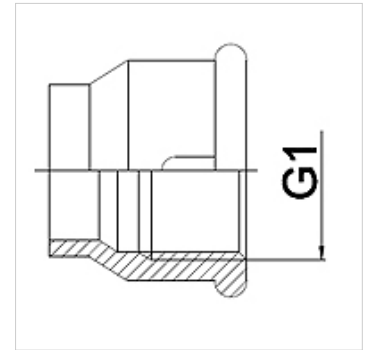
WA IR

Connector ... IR, malleable cast iron

HANSA FLEX

Properties

Application	Connection fitting for metal hoses
Connection 1	Threaded bushing with cylindrical, imperial internal thread
Standard	DIN EN 10226 / ISO 7-1
Construction	straight
Material	Malleable cast iron
Application	soldered variant temperature resistant up to 200 °C



Note

The specified working pressure PN(bar) relates to the working temperature of -20 °C to 120 °C. At working temperature of 120 °C to 200 °C the working pressure PN (bar) reduces to 22,7 bar.

Ordering information

Other designs available on request

Item

Identification	DN	PN (bar)	G1
WA 004 IR	4	25	Rp 1/8"
WA 006 IR	6	25	Rp 1/4"
WA 010 IR	10	25	Rp 3/8"
WA 013 IR	13	25	Rp 1/2"
WA 020 IR	20	25	Rp 3/4"
WA 025 IR	25	25	Rp 1"
WA 032 IR	32	25	Rp 1.1/4"
WA 040 IR	40	25	Rp 1.1/2"
WA 050 IR	50	25	Rp 2"
WA 065 IR	65	25	Rp 2.1/2"
WA 080 IR	80	25	Rp 3"
WA 100 IR	100	25	Rp 4"

Product versions

WA IR RG	Connector ... IR, red bronze, Red bronze
WA IR ST	Connector ... IR, steel, Steel (weldable)
WA IR VA	Connector ... IR, VA, Stainless steel