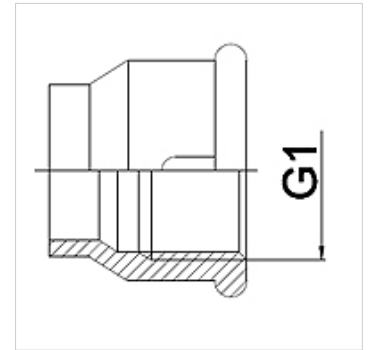


# WA IR RG

Connector ... IR, red bronze

## Properties

<b>Application</b>	Connection fitting for metal hoses
<b>Connection 1</b>	Threaded bushing with cylindrical, imperial internal thread
<b>Standard</b>	DIN EN 10226 / ISO 7-1
<b>Construction</b>	straight
<b>Material</b>	Red bronze
<b>Application</b>	soldered variant temperature resistant up to 200 °C



## Ordering information

Other designs available on request

## Item

Identification	DN	G1
WA 013 IR RG	13	Rp 1/2"
WA 020 IR RG	20	Rp 3/4"
WA 025 IR RG	25	Rp 1"
WA 032 IR RG	32	Rp 1.1/4"
WA 040 IR RG	40	Rp 1.1/2"
WA 050 IR RG	50	Rp 2"

## Product versions

<b>WA IR</b>	Connector ... IR, malleable cast iron, Malleable cast iron
<b>WA IR ST</b>	Connector ... IR, steel, Steel (weldable)
<b>WA IR VA</b>	Connector ... IR, VA, Stainless steel