

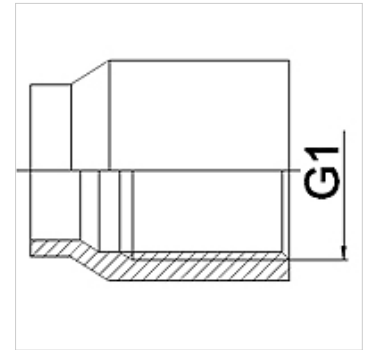
WA IR ST

Connector ... IR, steel

HANSA FLEX

Properties

Application	Connection fitting for metal hoses
Connection 1	Threaded bushing with cylindrical, imperial internal thread
Standard	DIN EN 10226 / ISO 7-1
Construction	straight
Material	Steel (weldable)



Ordering information

Other designs available on request

Item

Identification	DN	G1
WA 006 IR ST	6	Rp 1/4"
WA 010 IR ST	10	Rp 3/8"
WA 013 IR ST	13	Rp 1/2"
WA 020 IR ST	20	Rp 3/4"
WA 025 IR ST	25	Rp 1"
WA 032 IR ST	32	Rp 1.1/4"
WA 040 IR ST	40	Rp 1.1/2"
WA 050 IR ST	50	Rp 2"
WA 065 IR ST	65	Rp 2.1/2"
WA 080 IR ST	80	Rp 3"

Product versions

WA IR	Connector ... IR, malleable cast iron, Malleable cast iron
WA IR RG	Connector ... IR, red bronze, Red bronze
WA IR VA	Connector ... IR, VA, Stainless steel