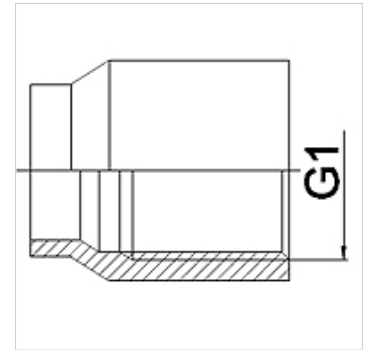


Properties

Application	Connection fitting for metal hoses
Connection 1	Threaded bushing with cylindrical, imperial internal thread
Standard	DIN EN 10226 / ISO 7-1
Construction	straight
Material	Stainless steel



Ordering information

Other designs available on request

Item

Identification	DN	PN (bar)	G1
WA 004 IR VA	4	10	Rp 1/8"
WA 006 IR VA	6	10	Rp 1/4"
WA 010 IR VA	10	10	Rp 3/8"
WA 013 IR VA	13	10	Rp 1/2"
WA 020 IR VA	20	10	Rp 3/4"
WA 025 IR VA	25	10	Rp 1"
WA 032 IR VA	32	10	Rp 1.1/4"
WA 040 IR VA	40	10	Rp 1.1/2"
WA 050 IR VA	50	10	Rp 2"
WA 065 IR VA	65	10	Rp 2.1/2"
WA 080 IR VA	80	10	Rp 3"
WA 100 IRVA	100	10	Rp 4"

Product versions

WA IR	Connector ... IR, malleable cast iron, Malleable cast iron
WA IR RG	Connector ... IR, red bronze, Red bronze
WA IR ST	Connector ... IR, steel, Steel (weldable)