

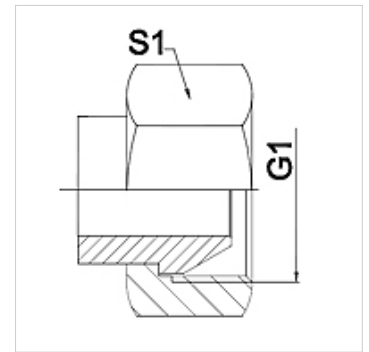
WA AB

Connector ... AB, steel

HANSA FLEX

Properties

Application	Connection fitting for metal hoses
Connection 1	BSP nut thread
Sealing form 1	60° outer cone
Standard	ISO 228-1 ISO 8434-6 BS 5200
Short code	DKR
Construction	straight
Material	Steel (weldable)



Note

Width across flats values are listed for reference purposes!

Ordering information

Other designs available on request

Item

Identification	DN	PN (bar)	G1	S1 (mm)
WA 006 AB	6	350	G 1/4"	19,0
WA 010 AB	10	350	G 3/8"	22,0
WA 013 AB	13	315	G 1/2"	27,0
WA 016 AB	16	315	G 5/8"	30,0
WA 020 AB	20	250	G 3/4"	32,0
WA 025 AB	25	200	G 1"	41,0
WA 032 AB	32	160	G 1.1/4"	50,0
WA 040 AB	40	125	G 1.1/2"	55,0
WA 050 AB	50	80	G 2"	70,0

Product versions

WA AB VA Connector ... AB, VA, Stainless steel