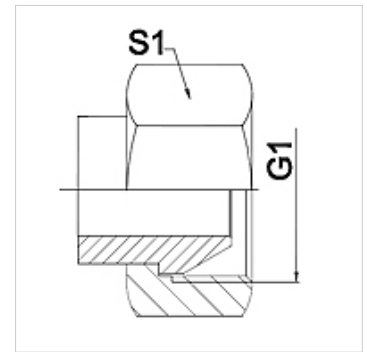


Properties

Application	Connection fitting for metal hoses
Connection 1	BSP nut thread
Sealing form 1	60° outer cone
Standard	ISO 228-1 ISO 8434-6 BS 5200
Short code	DKR
Construction	straight
Material	Stainless steel



Note

Width across flats values are listed for reference purposes!

Ordering information

Other designs available on request

Item

Identification	DN	PN (bar)	G1	S1 (mm)
WA 006 AB VA	6	350	G 1/4"	19,0
WA 010 AB VA	10	350	G 3/8"	22,0
WA 013 AB VA	13	315	G 1/2"	27,0
WA 016 AB VA	16	315	G 5/8"	30,0
WA 020 AB VA	20	250	G 3/4"	32,0
WA 025 AB VA	25	200	G 1"	41,0
WA 032 AB VA	32	160	G 1.1/4"	50,0
WA 040 AB VA	40	125	G 1.1/2"	55,0
WA 050 AB VA	50	80	G 2"	70,0

Product versions

WA AB	Connector ... AB, steel, Steel (weldable)
--------------	---