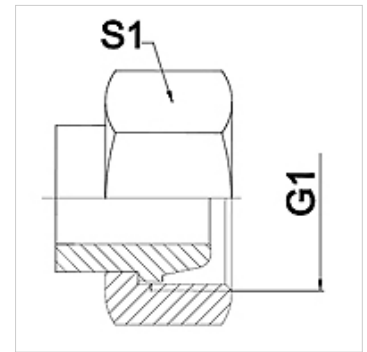


## Properties

<b>Application</b>	Connection fitting for metal hoses
<b>Connection 1</b>	metric nut thread
<b>Sealing form 1</b>	24° outer cone
<b>Standard</b>	matching connector adapter according to DIN 2353 / DIN EN ISO 8434-1
<b>Short code</b>	DKL
<b>Construction</b>	straight
<b>Series</b>	light
<b>Material</b>	Stainless steel



## Note

Width across flats values are listed for reference purposes!

## Ordering information

Other designs available on request

## Item

Identification	DN	PN (bar)	G1	Series	S1 (mm)
WA 004 AFL VA	4	250	M 12 x 1.5	6 L	14,0
WA 006 AFL VA	6	250	M 14 x 1.5	8 L	17,0
WA 008 AFL VA	8	250	M 16 x 1.5	10 L	19,0
WA 010 AFL VA	10	250	M 18 x 1.5	12 L	22,0
WA 013 AFL VA	13	250	M 22 x 1.5	15 L	27,0
WA 016 AFL VA	16	160	M 26 x 1.5	18 L	32,0
WA 020 AFL VA	20	160	M 30 x 2	22 L	36,0
WA 025 AFL VA	25	100	M 36 x 2	28 L	41,0
WA 032 AFL VA	32	100	M 45 x 2	35 L	50,0
WA 040 AFL VA	40	100	M 52 x 2	42 L	60,0

## Product versions

WA AFL Connector ... AFL, steel, Steel (weldable)