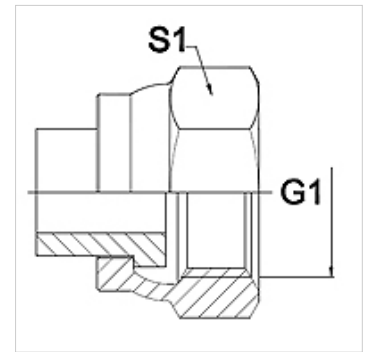


WA AR

Connector ... AR, steel

Properties

Application	Connection fitting for metal hoses
Connection 1	BSP nut thread
Sealing form 1	flat sealing
Standard	ISO 228-1
Short code	DKR flat
Construction	straight
Material	Steel (weldable)



Note

Width across flats values are listed for reference purposes!

Ordering information

Other designs available on request

Item

Identification	DN	PN (bar)	G1	S1 (mm)
WA 006 AR	6	350	G 1/4"	19,0
WA 010 AR	10	350	G 3/8"	22,0
WA 013 AR	13	315	G 1/2"	27,0
WA 016 AR	16	315	G 5/8"	30,0
WA 020 AR	20	250	G 3/4"	32,0
WA 025 AR	25	200	G 1"	41,0
WA 032 AR	32	160	G 1.1/4"	50,0
WA 040 AR	40	125	G 1.1/2"	55,0
WA 050 AR	50	80	G 2"	70,0

Product versions

WA AR VA Connector ... AR, VA, Stainless steel