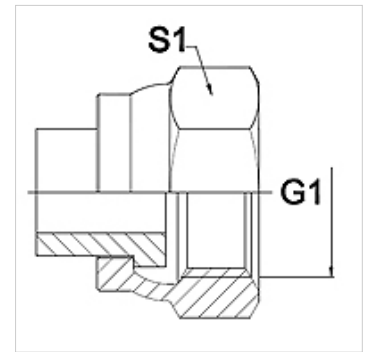


Properties

Application	Connection fitting for metal hoses
Connection 1	BSP nut thread
Sealing form 1	flat sealing
Standard	ISO 228-1
Short code	DKR flat
Construction	straight
Material	Stainless steel



Note

Width across flats values are listed for reference purposes!

Ordering information

Other designs available on request

Item

Identification	DN	PN (bar)	G1	S1 (mm)
WA 006 AR VA	6	350	G 1/4"	19,0
WA 010 AR VA	10	350	G 3/8"	22,0
WA 013 AR VA	13	315	G 1/2"	27,0
WA 016 AR VA	16	315	G 5/8"	30,0
WA 020 AR VA	20	250	G 3/4"	32,0
WA 025 AR VA	25	200	G 1"	41,0
WA 032 AR VA	32	160	G 1.1/4"	50,0
WA 040 AR VA	40	125	G 1.1/2"	55,0
WA 050 AR VA	50	80	G 2"	70,0
WA 065 AR VA	65	16	G 2.1/2"	85,0
WA 080 AR VA	80	16	G 3"	100,0

Product versions

WA AR	Connector ... AR, steel, Steel (weldable)
-------	---