

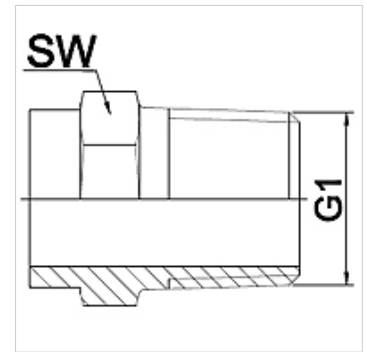
WA HN

Connector ... HN, malleable cast iron

HANSA FLEX

Properties

Application	Connection fitting for metal hoses
Connection 1	imperial outer thread, conical
Sealing form 1	thread seal
Standard	DIN EN 10226 / ISO 7-1
Construction	straight
Material	Malleable cast iron
Application	soldered variant temperature resistant up to 200 °C



Note

Width across flats values are listed for reference purposes!

The specified working pressure PN(bar) relates to the working temperature of -20 °C to 120 °C. At working temperature of 120 °C to 200 °C the working pressure PN (bar) reduces to 22,7 bar.

Ordering information

Other designs available on request

Item

Identification	DN	PN (bar)	G1	AF (mm)
WA 006 HN	6	25	R 1/4"	19
WA 010 HN	10	25	R 3/8"	22
WA 013 HN	13	25	R 1/2"	28
WA 020 HN	20	25	R 3/4"	32
WA 025 HN	25	25	R 1"	42
WA 032 HN	32	25	R 1.1/4"	50
WA 040 HN	40	25	R 1.1/2"	55
WA 050 HN	50	25	R 2"	70
WA 065 HN	65	25	R 2.1/2"	85
WA 080 HN	80	25	R 3"	100
WA 100 HN	100	25	R 4"	130

Product versions

WA HN VA Connector ... HN, VA, Stainless steel