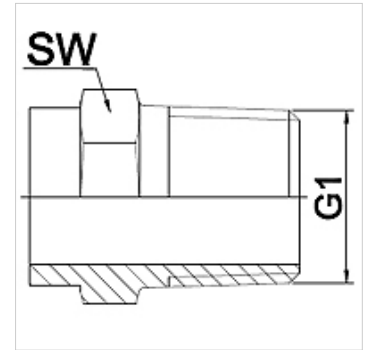


Properties

Application	Connection fitting for metal hoses
Connection 1	imperial outer thread, conical
Sealing form 1	thread seal
Standard	DIN EN 10226 / ISO 7-1
Construction	straight
Material	Stainless steel



Note

Width across flats values are listed for reference purposes!

Ordering information

Other designs available on request

Item

Identification	DN	PN (bar)	G1	AF (mm)
WA 006 HN VA	6	50	R 1/4"	19
WA 010 HN VA	10	50	R 3/8"	22
WA 013 HN VA	13	50	R 1/2"	28
WA 020 HN VA	20	50	R 3/4"	32
WA 025 HN VA	25	50	R 1"	42
WA 032 HN VA	32	40	R 1.1/4"	50
WA 040 HN VA	40	40	R 1.1/2"	55
WA 050 HN VA	50	25	R 2"	70
WA 065 HN VA	65	25	R 2.1/2"	85
WA 080 HN VA	80	25	R 3"	100
WA 100 HN VA	100	25	R 4"	130

Product versions

WA HN Connector ... HN, malleable cast iron, Malleable cast iron